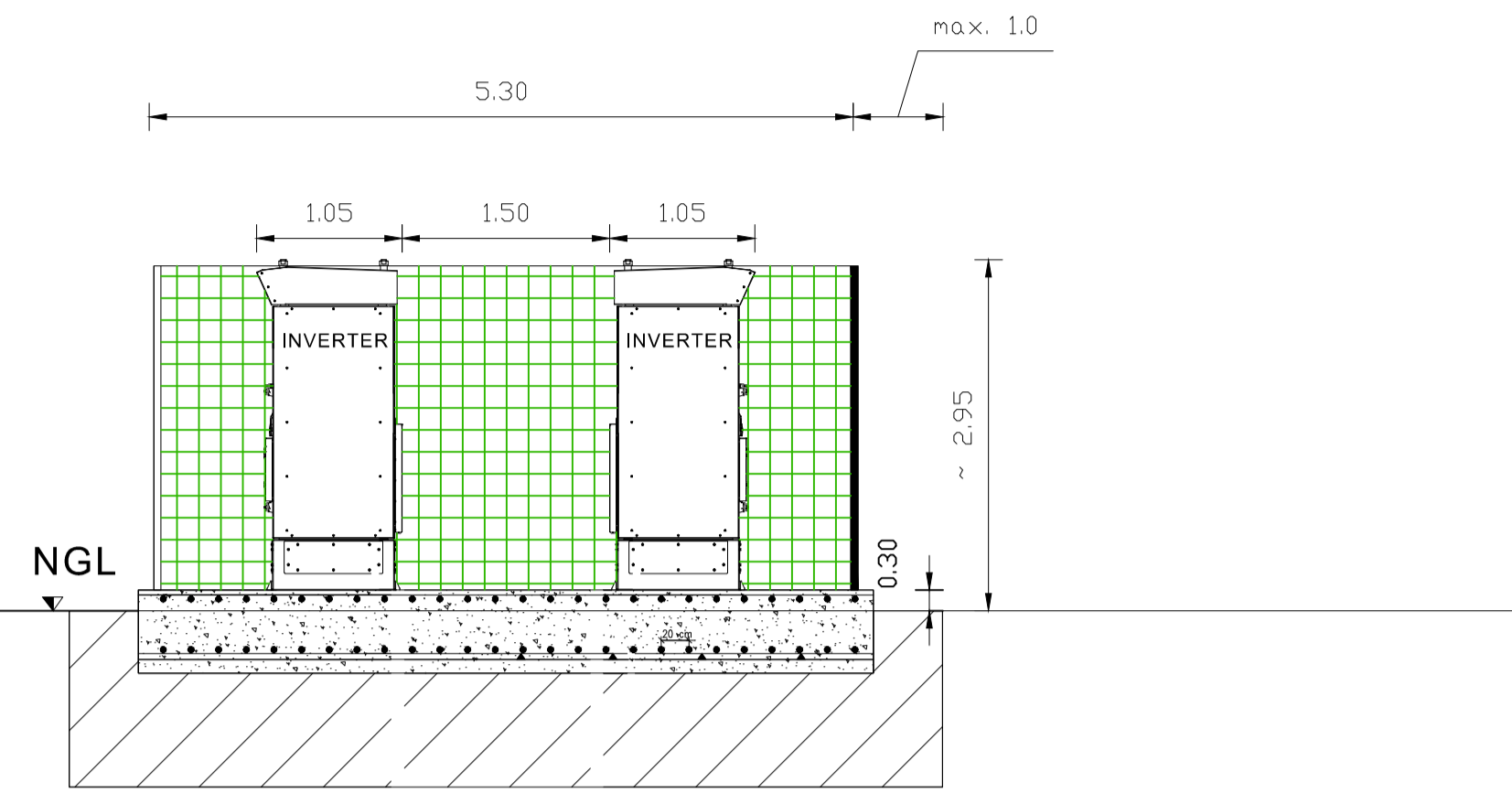


Side View Inverter & Transformer Station (G02)

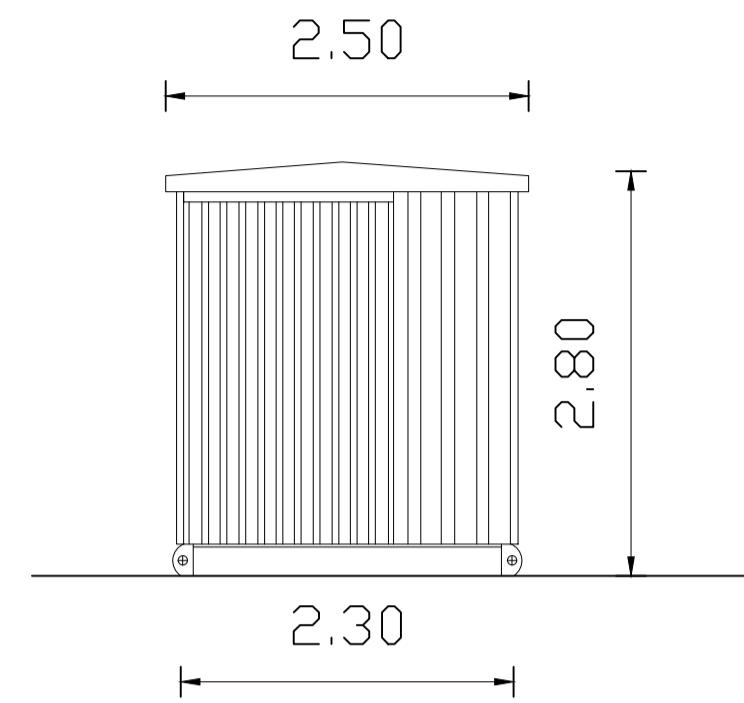


S

N

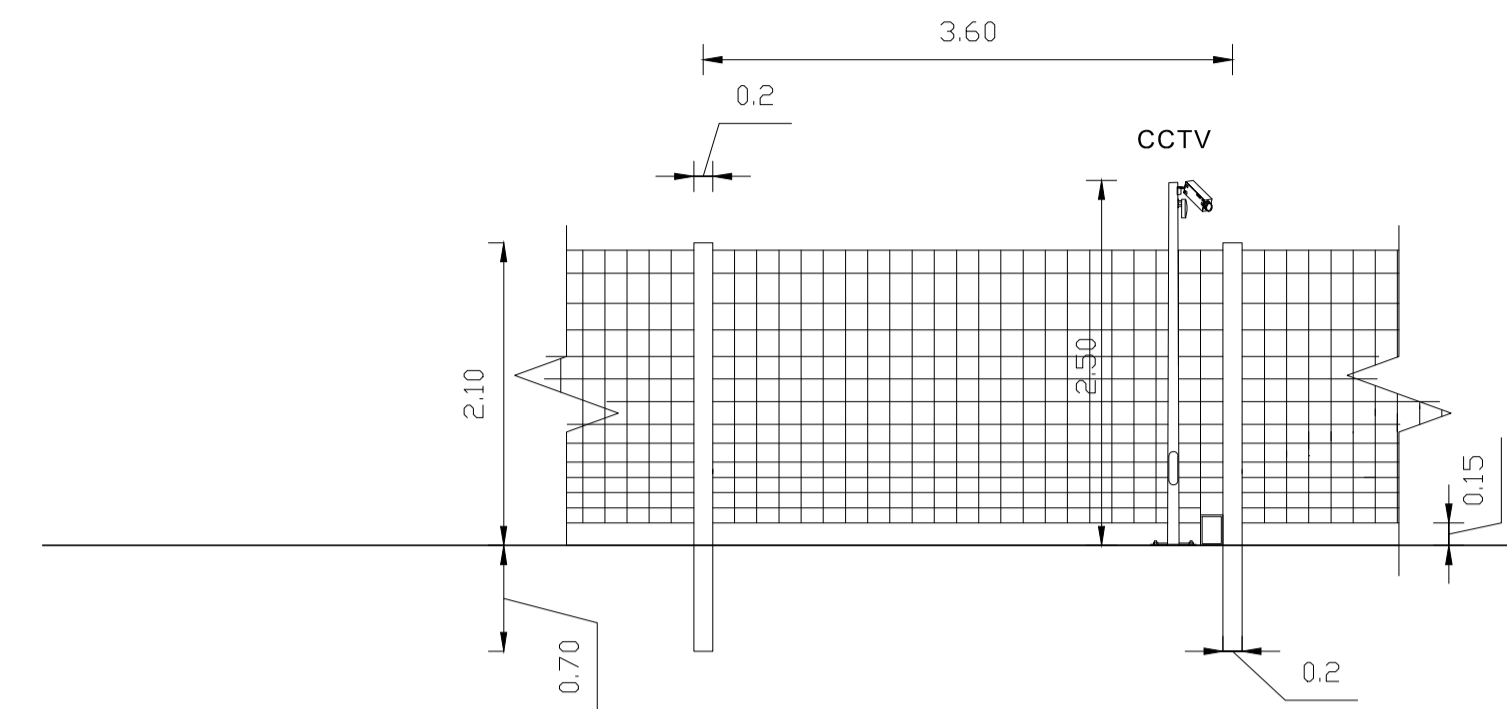
W

Side View Customer Sub-station (G03)

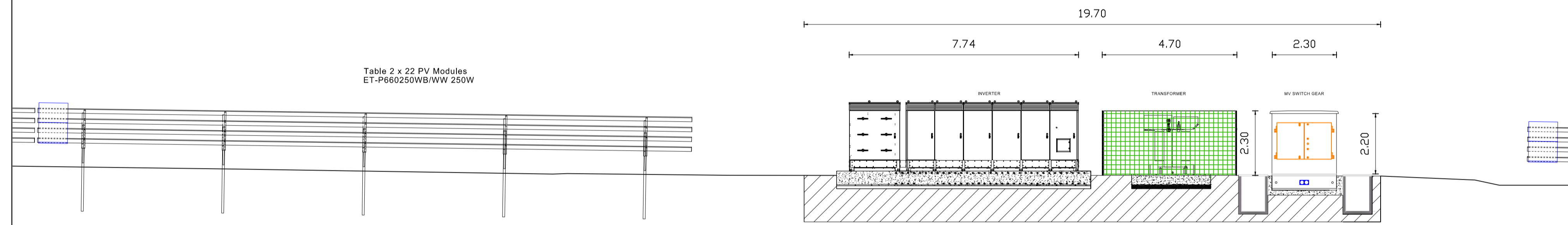


E

Front View Fence (G06)



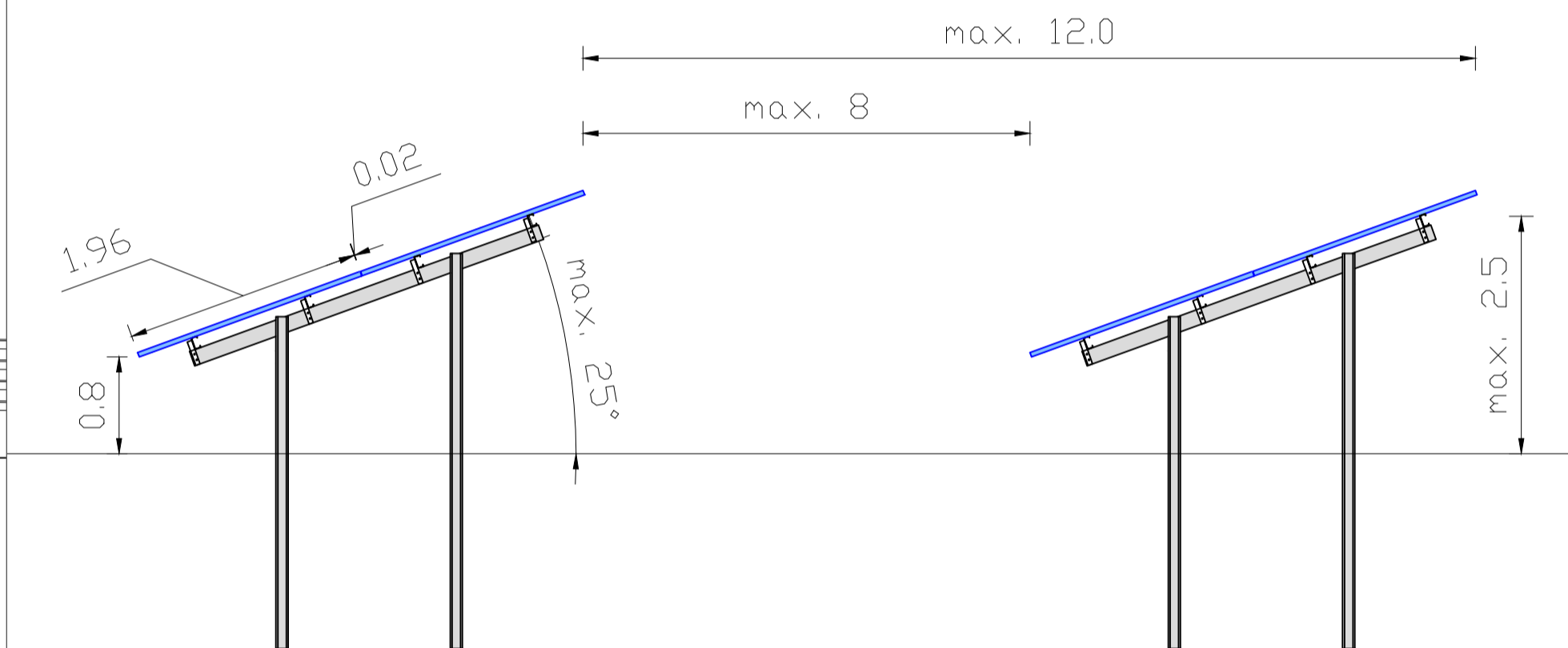
Front View Inverter & Transformer Station (Scale 1:100) (G02)



W

E

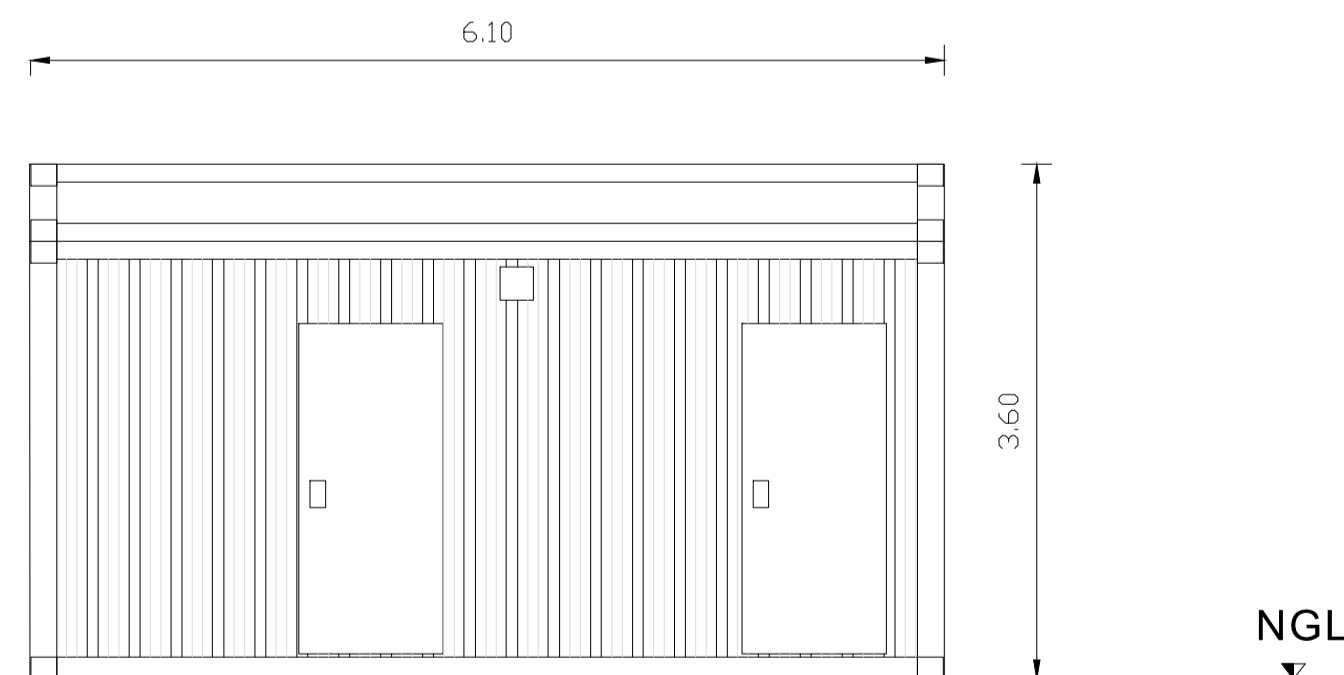
Side View PV Rack (G05)



S

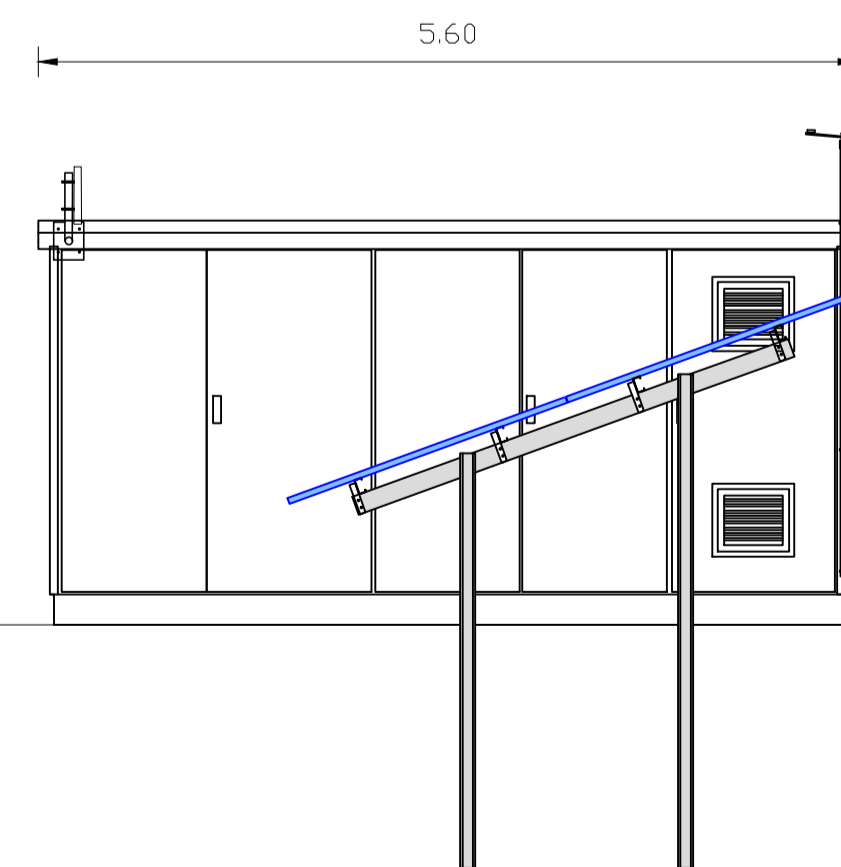
N

Front View DNO Building



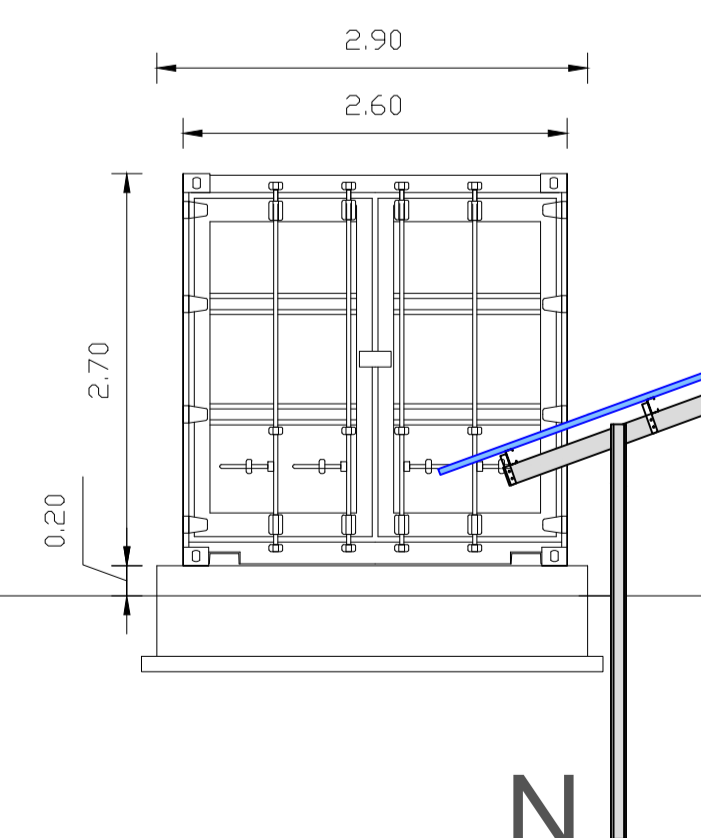
S

Customer Sub-station (G03)



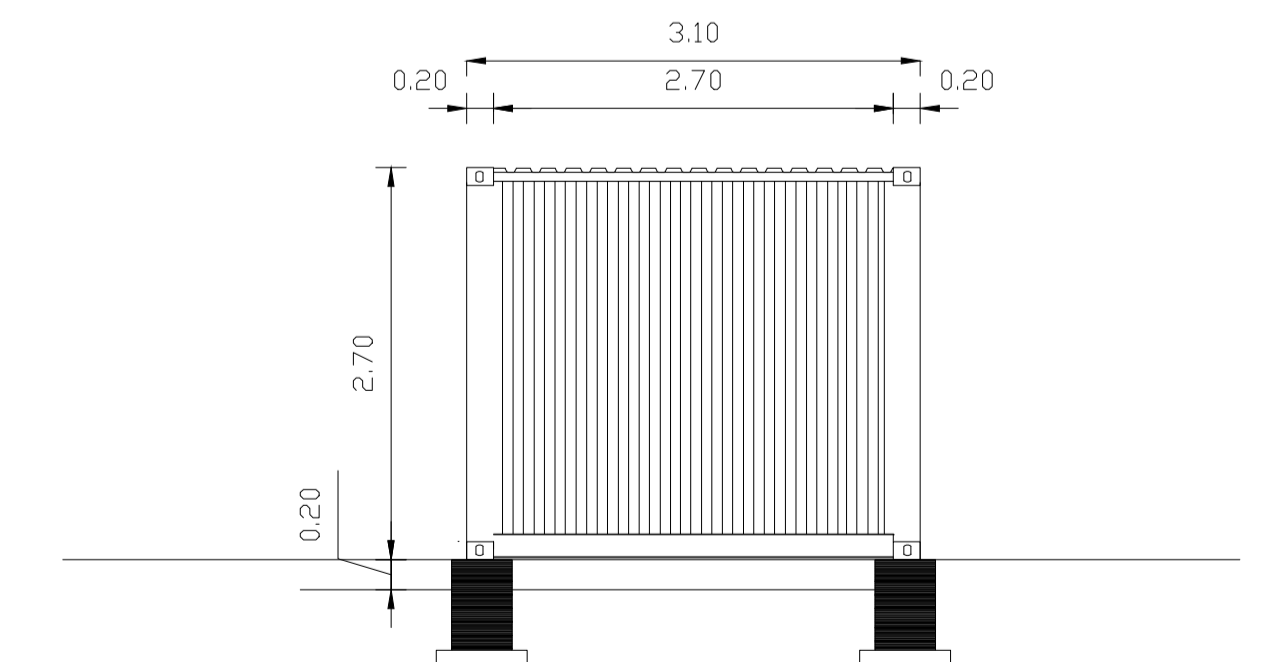
N

Storage Building (G04)



W

Side View Storage Building (G04)



E

ALL DIMENSIONS IN METERS

REV	DATE	BY	APP	CHANGE	DATE
R01	WW	REV	APP	FIRST ISSUE	2015-06-30
DRAWING TITLE		DRAWING NUMBER		DATE DRAWING MADE	
Overview		G01		GenericApplicationDocs.dwg	
PROJECT NAME & ADDRESS		APPROVAL STAMP		SCALE	
GENERIC				1:50	
CUSTOMER		STATUS		SHEET	
				1/1	

ET
ET Solutions AG
Bernhard-Wicki-Str. 5
80636 München
Phone: +49 - (0)89 500 94 05 0
Telefax: +49 - (0)89 500 94 05 99