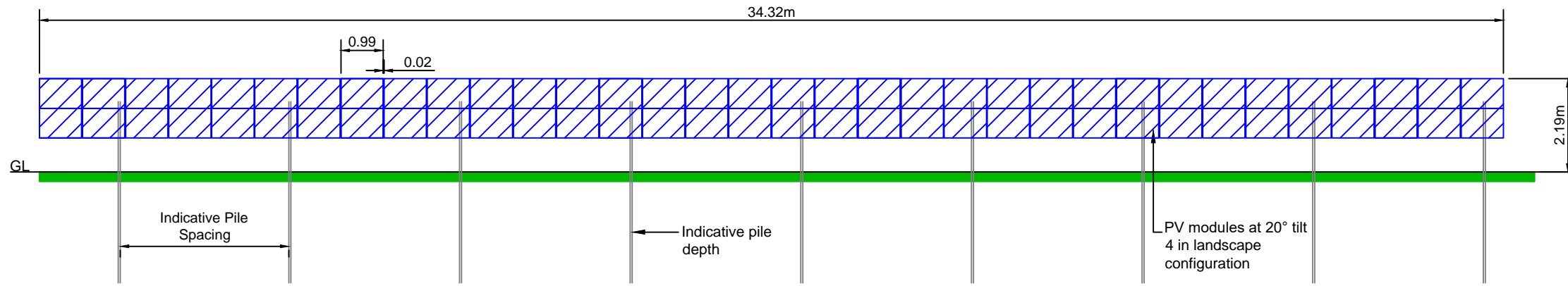


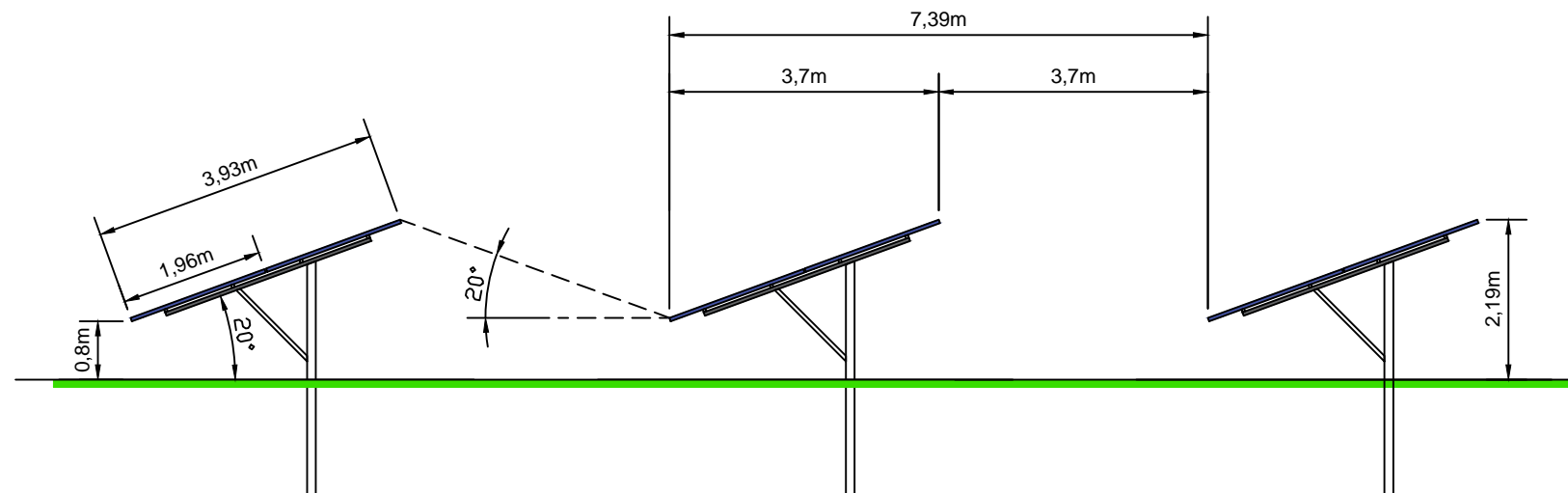
Front Elevation
Scale 1:125 @ A3



Notes:

1. All dimensions are indicative and in m unless otherwise stated.
2. The height clearance of the front module from the ground is indicative only and can be revised based on site specific conditions. A nominal value of 0.6m to 0.8m is recommended to facilitate sheep grazing.

Side Elevation
Scale 1:100 @ A3



Rev	Date	Comments

FOR PLANNING PURPOSES ONLY
DO NOT SCALE OFF THIS DRAWING
Drawn: CM Ref: Type 8 Date: 24/08/15

Framework Elevations



E. info@earthgreen.co.uk
W. www.earthgreen.co.uk