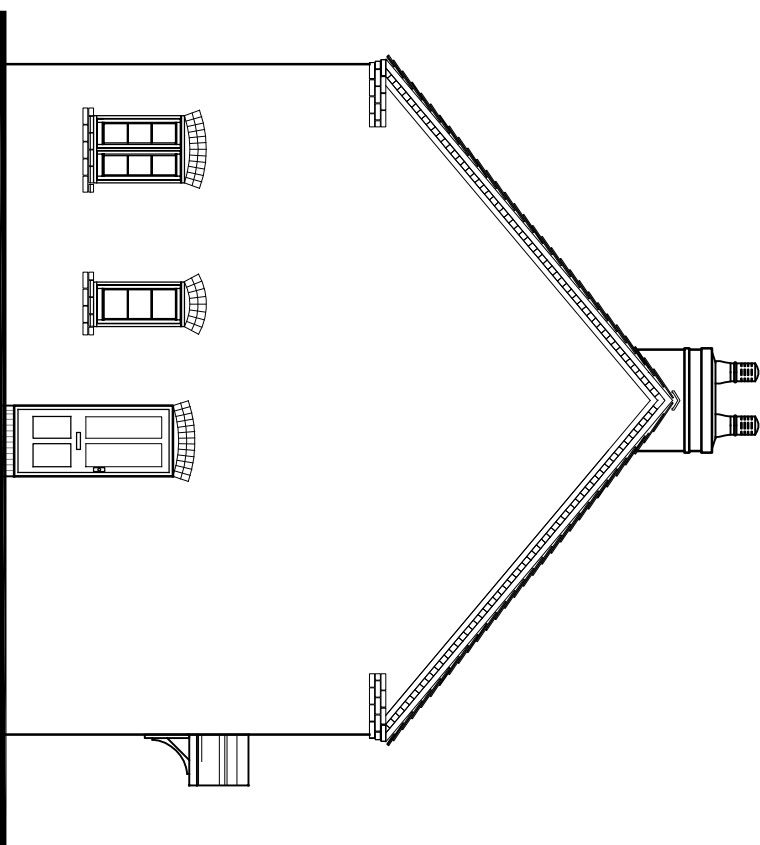
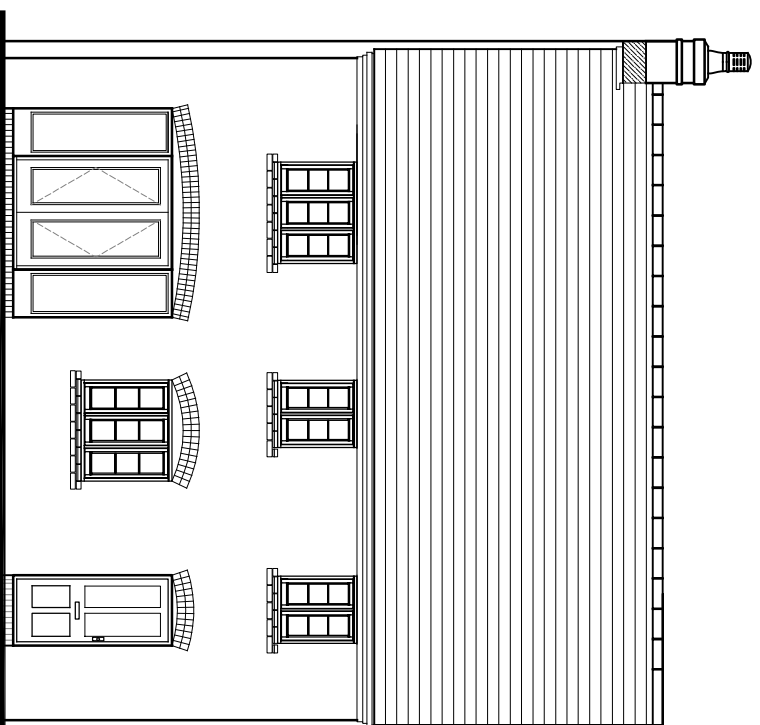


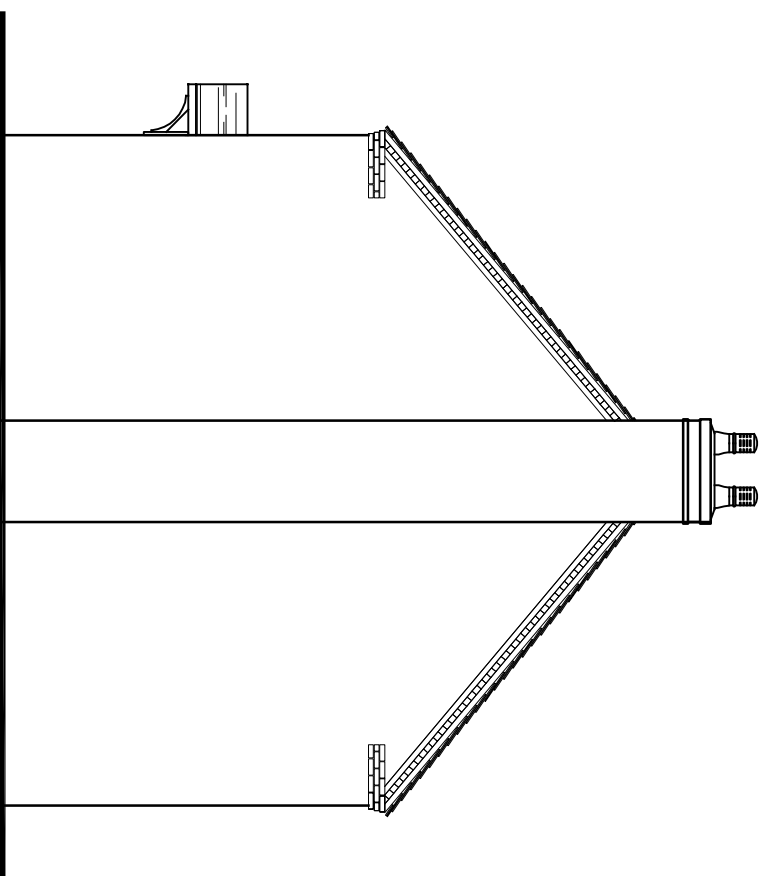
FRONT ELEVATION



SIDE ELEVATION



REAR ELEVATION



SIDE ELEVATION

Applies to plots:
2, 5

REVISION	DATE	CHECK'D
A Porch and central window amended on front elevation	July 2016	
B Porch amended.	Aug. 2016	SC



**SHROPSHIRE
HOMES LTD**

THE OLD WORKHOUSE - CROSS HOUSES - SHREWSBURY - SHROPSHIRE - ST5 6JH
TELEPHONE: (01743) 761789 . FACSIMILE (01743) 761773

JOB The Beeches, Ironbridge
TITLE Grasmere RH Elevations

DWG No.	DATE	SCALE	REVISION
TB-P-20X	May 2016	1:100 @ A3	B
DRAWN S. Cain	CHECKED		REVISION BY S. Cain