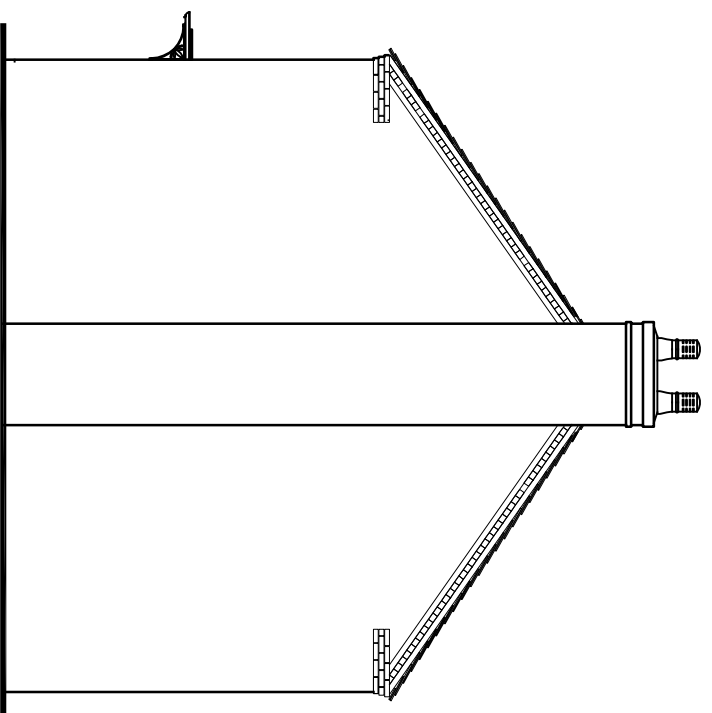
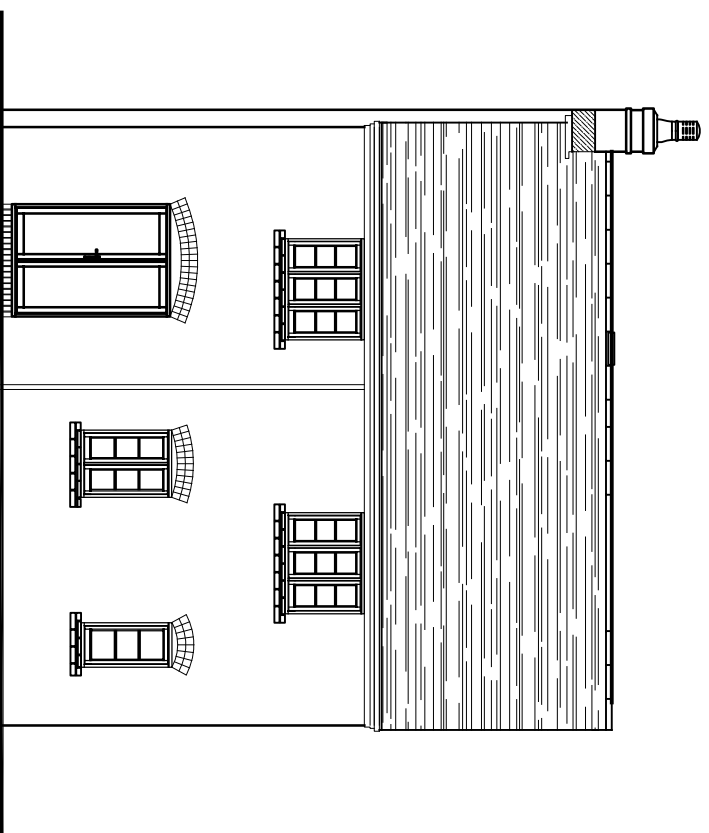


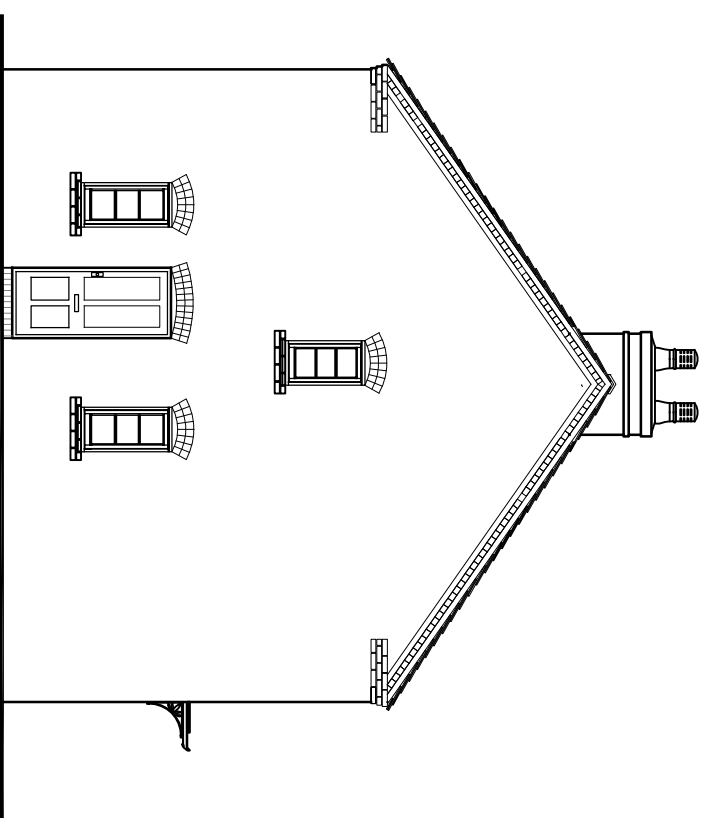
FRONT ELEVATION



SIDE ELEVATION



REAR ELEVATION



SIDE ELEVATION

Applies to plots:
3, 6, 9, 11, 14, 33

REV.	BY	DATE	REVISION
A	JC	Aug 2016	Chimney width and brick arches revised.
B	SC	Aug 2016	First floor window above garage amended.



**SHROPSHIRE
HOMES LTD**

THE OLD WORKHOUSE - CROSS HOUSES - SHREWSBURY - SHROPSHIRE - SY5 6JH
TELEPHONE: (01743) 761789 . FACSIMILE (01743) 761773

JOB The Beeches,
Ironbridge
TITLE Earlesdale RH Elevations

DWG. No.	DATE	SCALE	REVISION
TB-P-12X	May 2016	1:100 @ A3	B
DRAWN S. Cain	CHECKED		REVISION BY S. Cain