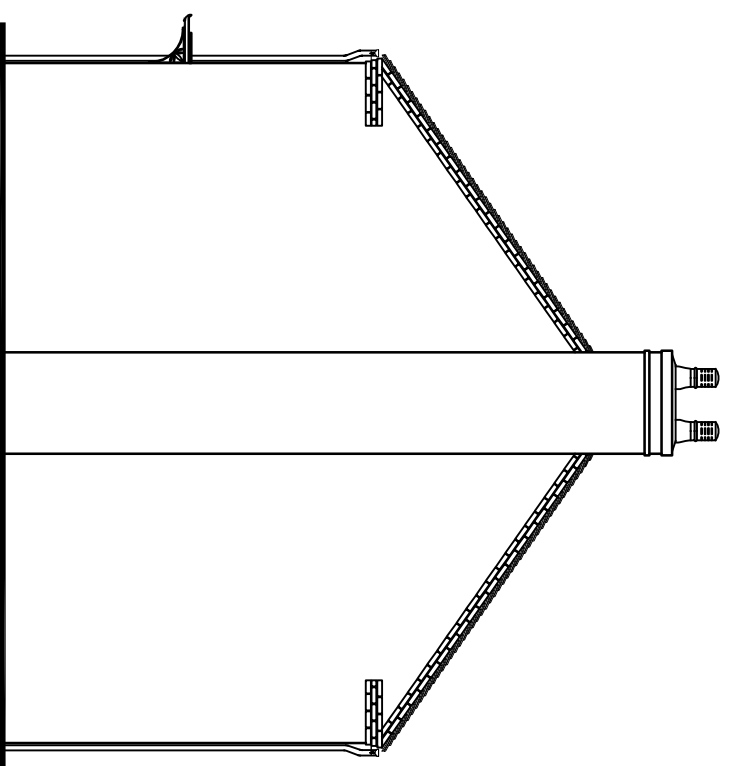
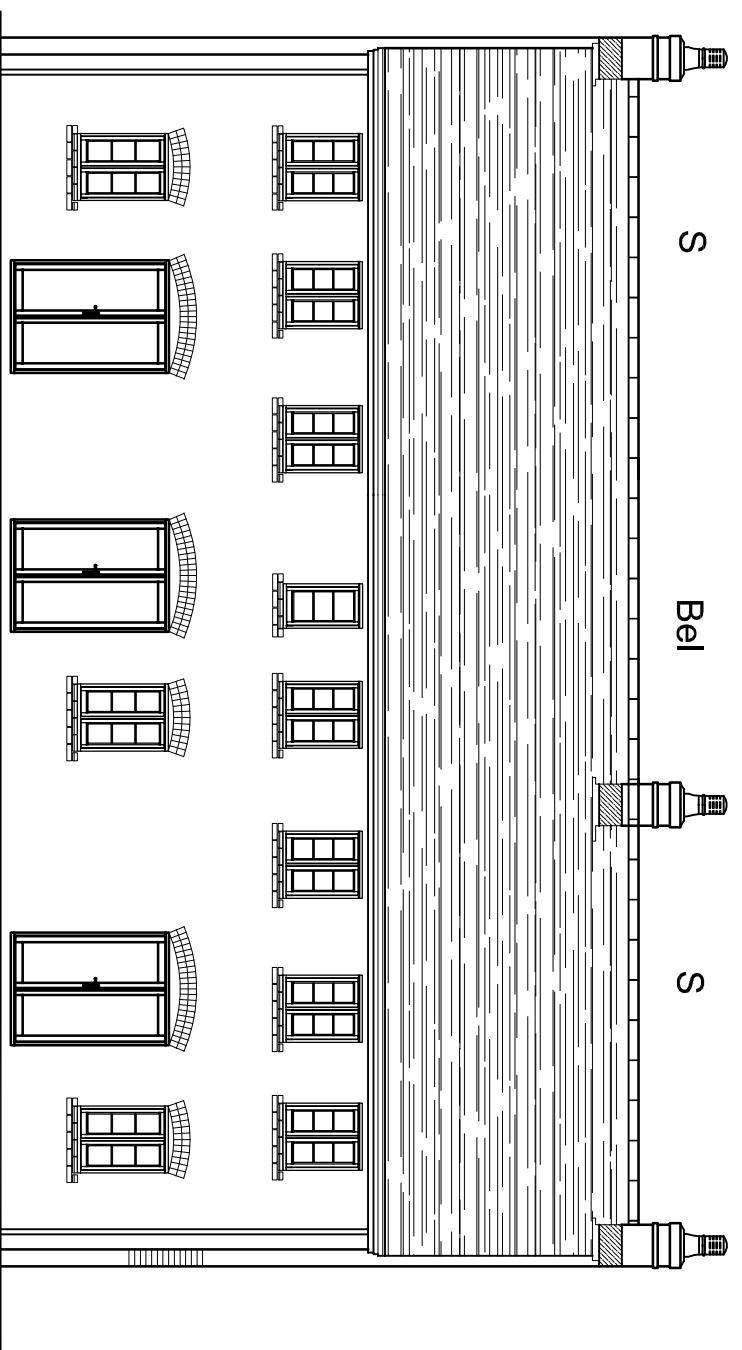


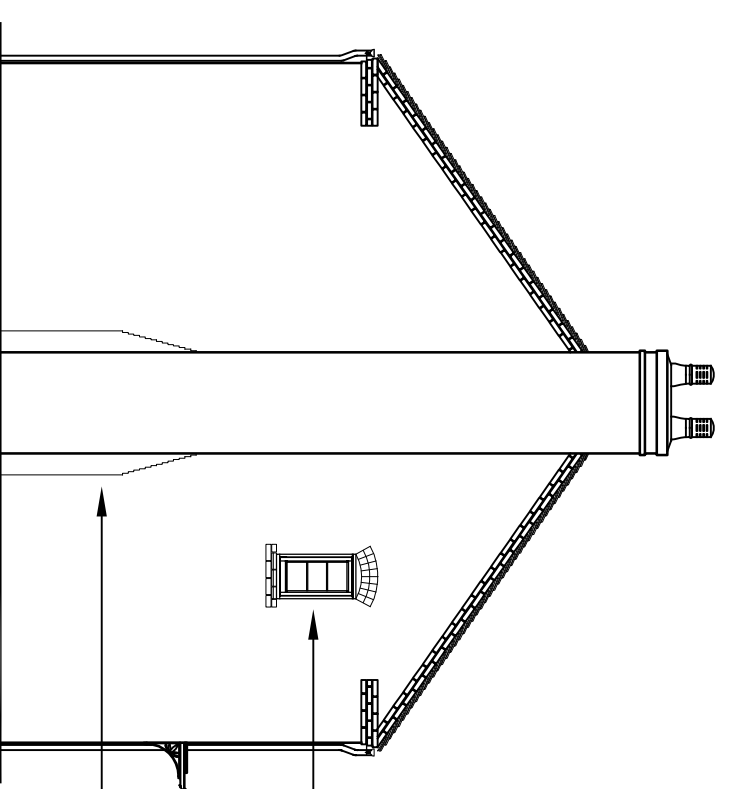
**FRONT ELEVATION**



**SIDE ELEVATION**



**REAR ELEVATION**



**SIDE ELEVATION**

Window applies to plot 38 only

Shoulder detail to chimney applies to plot 38 only



**SHROPSHIRE  
HOMES LTD**

THE OLD WORKHOUSE - CROSS HOUSES - SHREWSBURY - SHROPSHIRE - SY5 6JH  
TELEPHONE: (01743) 761789 . FACSIMILE (01743) 761773

**Applies to plots:  
19/20/21, 38/39/40, 53/52/51**

A	REVISION	DATE	REV. BY	JOB	DWC No.	DATE	SCALE	REVISION
	2 No. windows added which apply to plot 38. Brick arches revised. Shoulder detail added to chimney and GF window (which applied to plot 38 only) removed.	July 2016	SC					
B		Aug 2016	SC					
C		Aug 2016	SC					
DRAWN				CHECKED		REVISION BY		
S. Cahn						S. Cahn		